

Condensed Power for Mobile Applications



Permanent Magnet DC - Motor

Disc-Motors with patented rotor technology and high efficiency

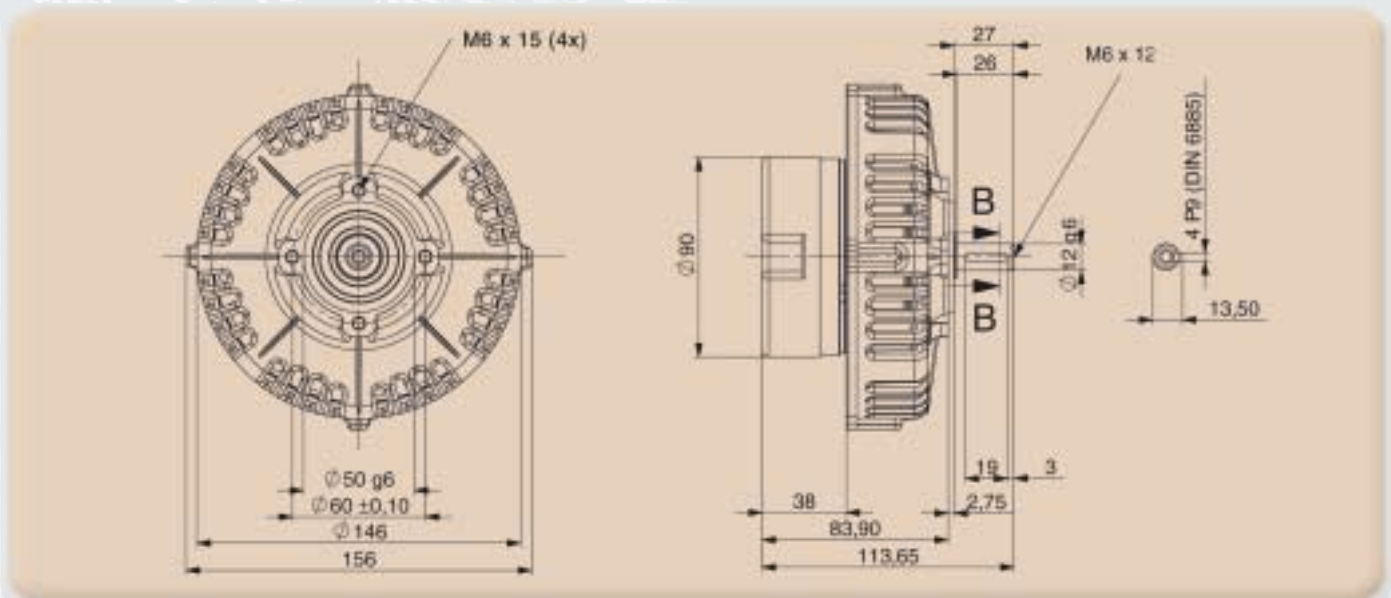
From 12 Volt to 24 Volt DC, for all battery-powered applications

Advantages:

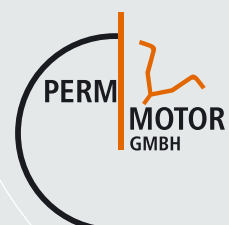
- low weight
- high efficiency
- high torque
- simplified control
- energy recuperation in generator mode



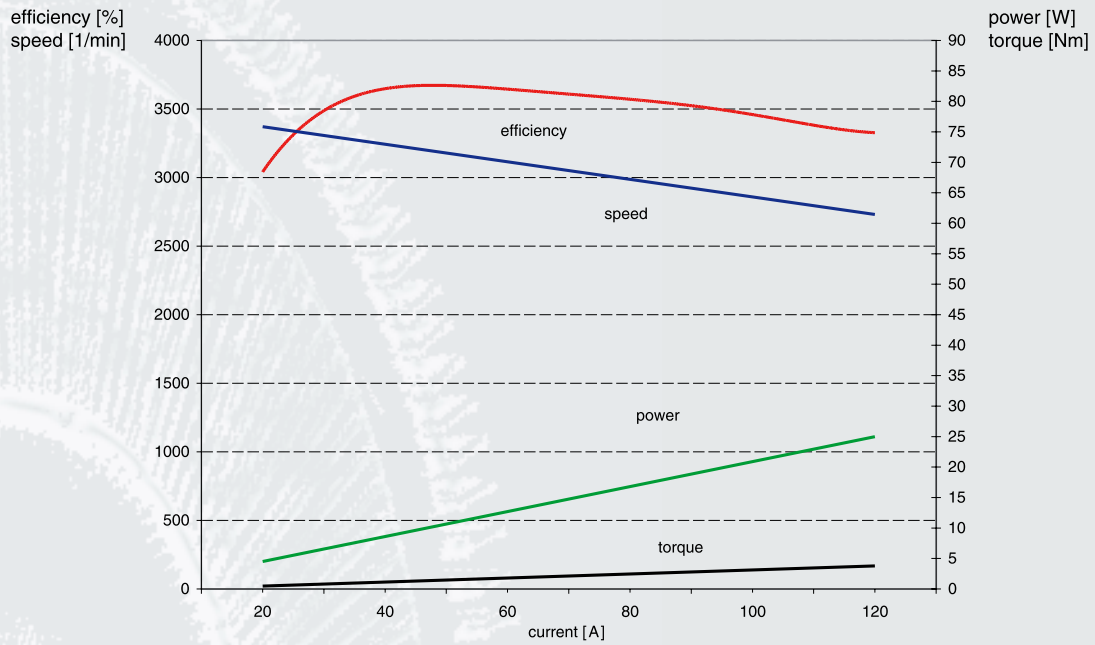
PMG 080



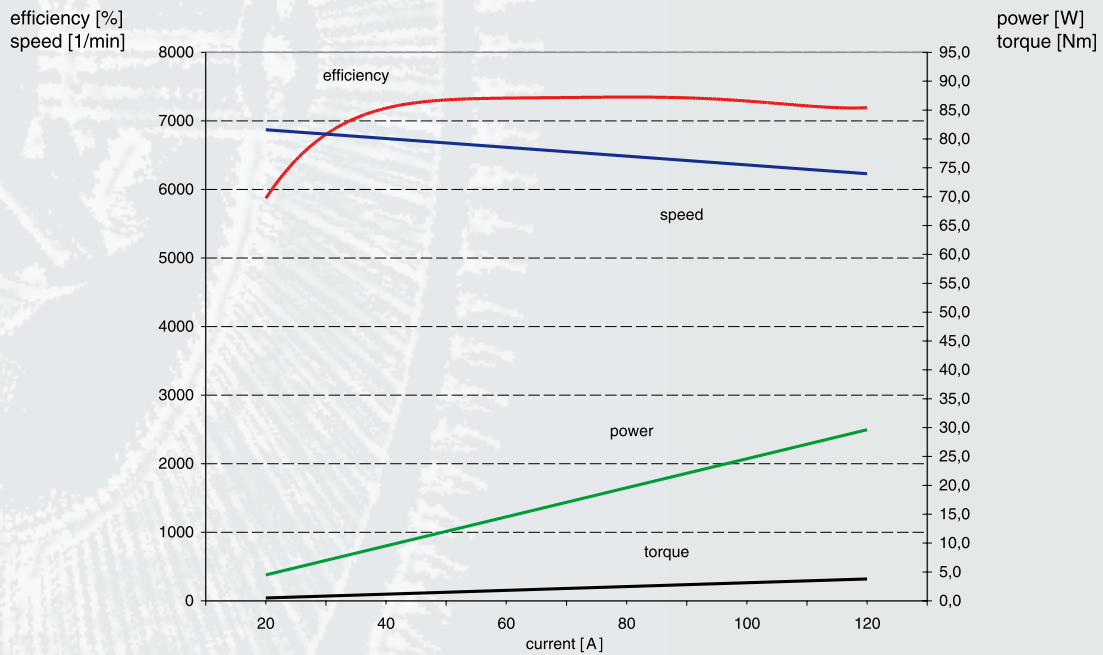
Operation mode	S1	S1	inertia	0,0021 kgm ²
Voltage	12 V	24 V	inductance	0,0026 mH
Current	78 A	78 A	resistance	9,0 mOhm
Speed	3000 min ⁻¹	6500 min ⁻¹	system of protection	IP 20
Torque	2,4 Nm	2,4 Nm	weight	3,4 kg
Power	0,75 kW	1,6 kW		
Short time operation	115 A	S2 - 10min	3,5 Nm	



PMG 080 - 12 V



PMG 080 - 24 V



Kesslerstrasse 1-3
D - 79206 Breisach

Telefon +49 (0)7667/90 63-0
Telefax +49 (0)7667/90 63-29

e-mail: info@perm-motor.de
www.perm-motor.de